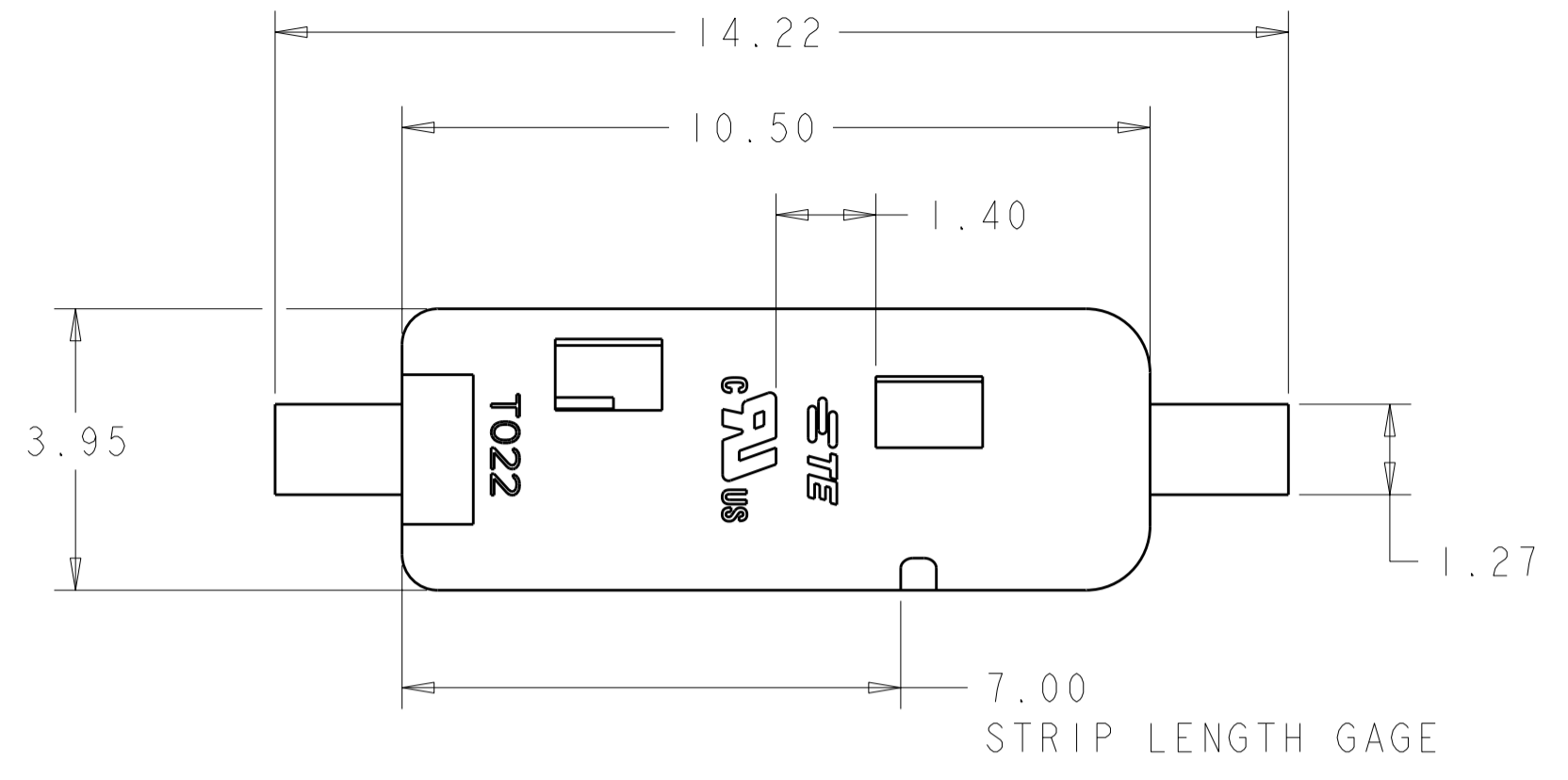
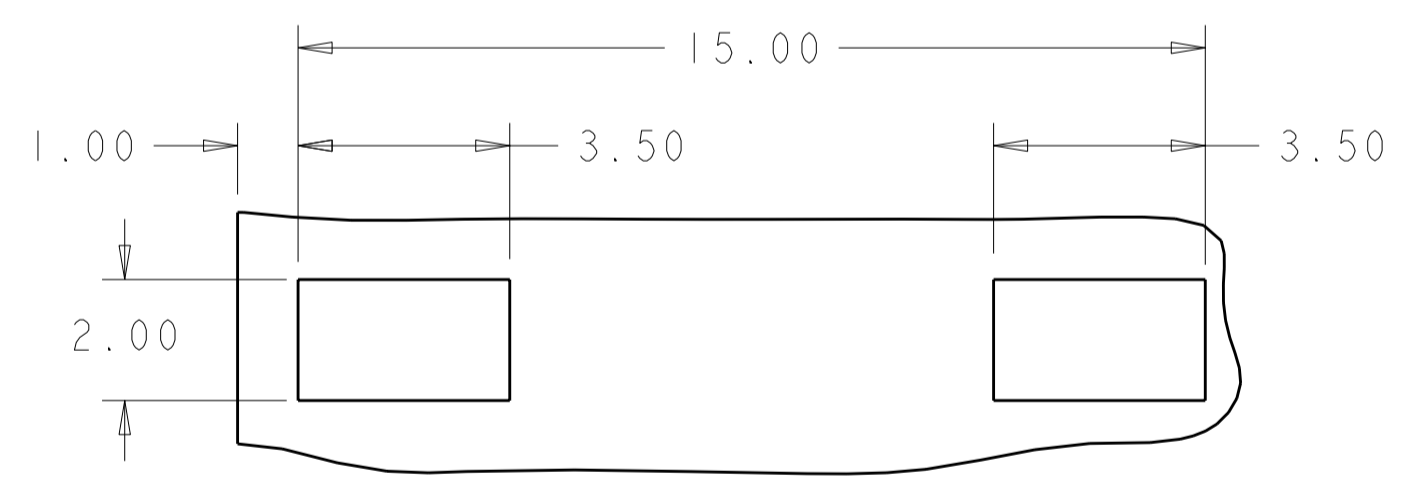
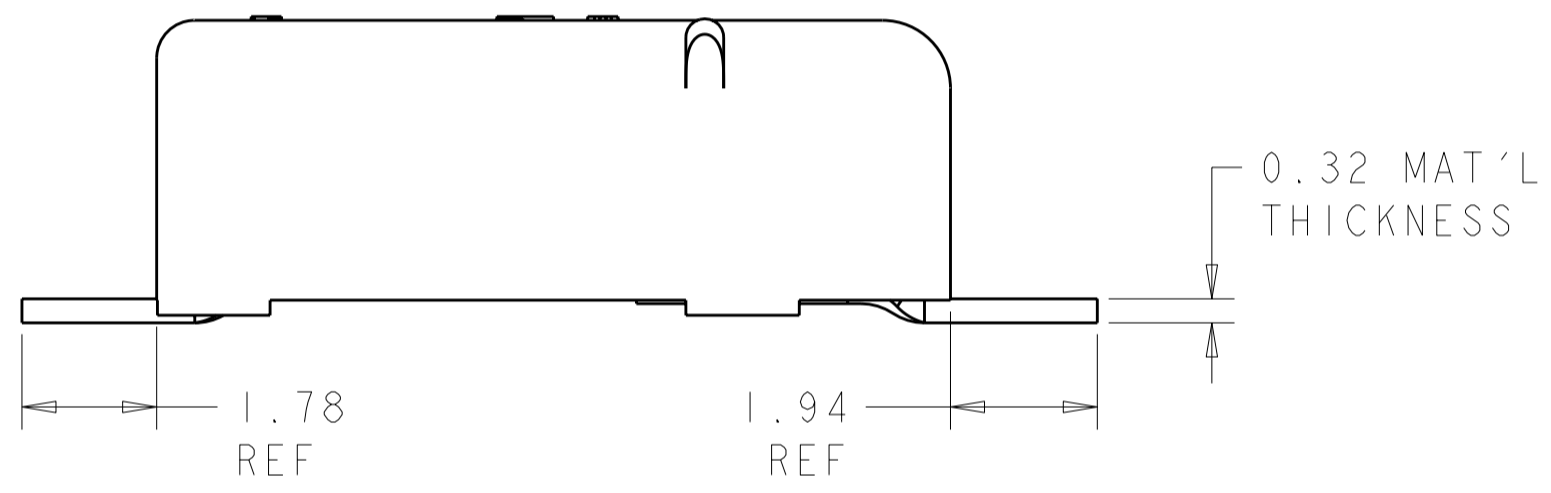
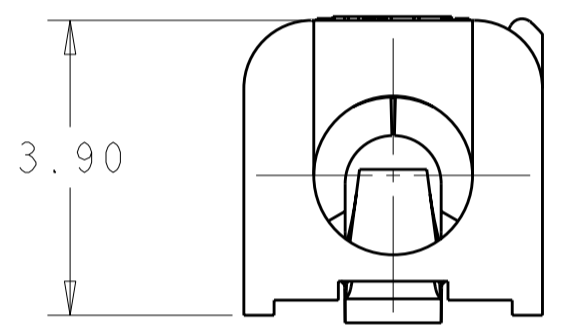


THIS DRAWING IS UNPUBLISHED. RELEASED FOR PUBLICATION 20  
 © COPYRIGHT 20 ALL RIGHTS RESERVED.

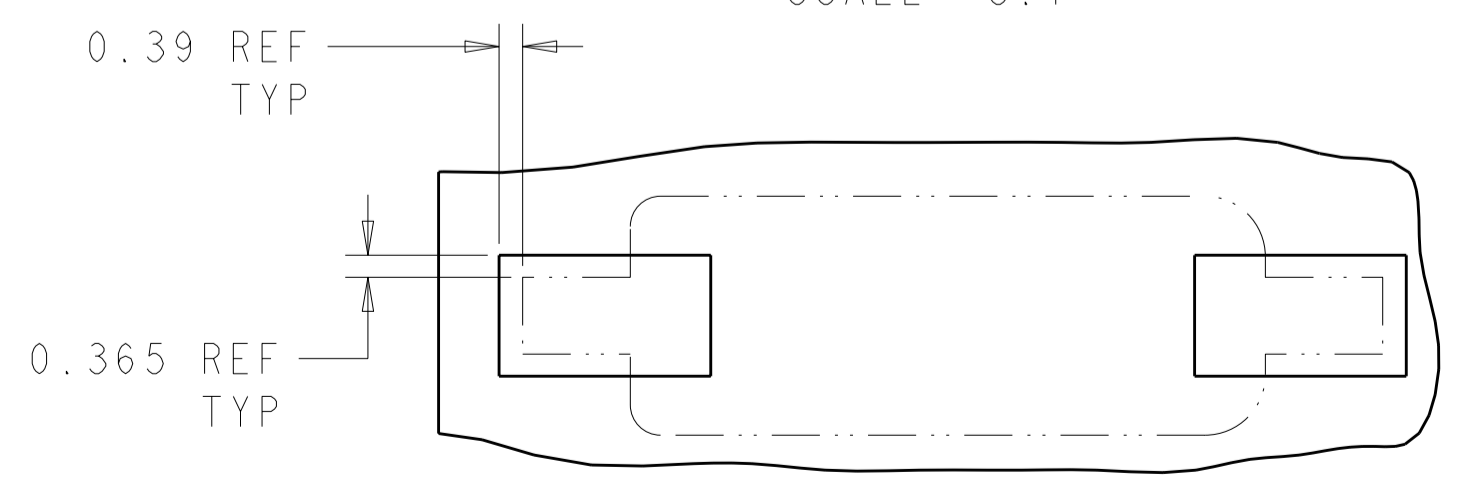
REVISIONS							
LOC	DIST	P	LTR	DESCRIPTION	DATE	DWN	APVD
-	-	A1		REVISED PER ECR-09-018649	25AUG2009	HMR	DD
		A2		REVISED PER ECR-11-011090	03JUN2011	SK	DD



- ⚠ MATERIALS AND FINISH:  
 - HOUSING: LCP, COLOR: WHITE  
 - CONTACTS: COPPER ALLOY, FINISH: TIN
- MUST COMPLY WITH DIRECTIVE 2002/95/EC (ROHS)
  - WIRE TYPES AND SIZES ACCEPTED  
 18, 20 AND 22 AWG SOLID WIRE  
 18 AND 20 AWG PREBOND STRANDED WIRE  
 18 AWG STRANDED WIRE (16 STRAND COUNT)  
 MAX INSULATION OD: 2.10 MM (.083")  
 STRIP LENGTH: 7.0±1.0 (.276")
  - PACKAGED IN TAPE AND REEL  
 PER EIA-481.



RECOMMENDED PCB LAYOUT  
SCALE 8:1



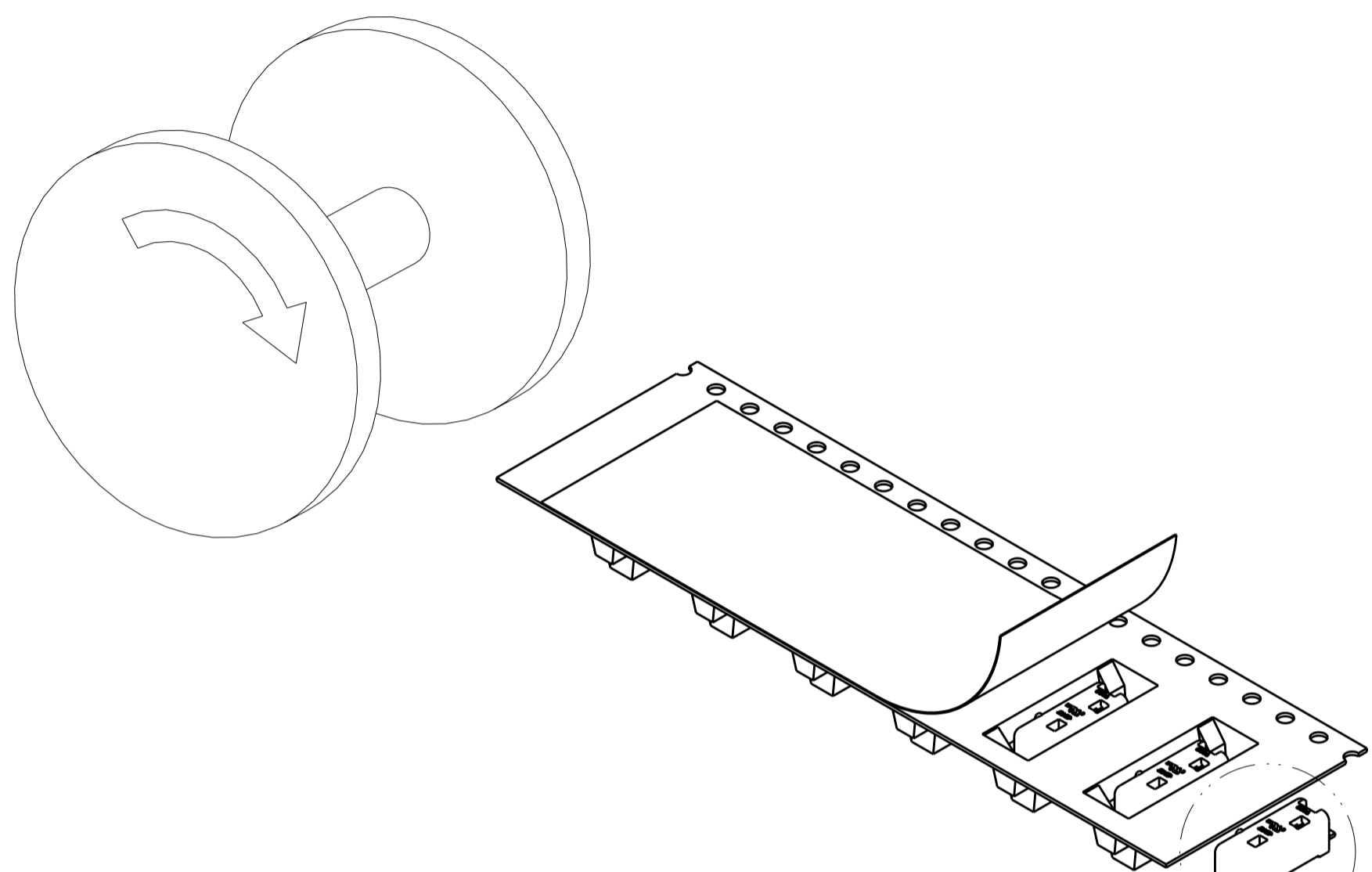
RECOMMENDED CONNECTOR PLACEMENT  
SCALE 8:1

⚠	WHITE	1969307-1
MATERIAL	COLOR	PART NUMBER

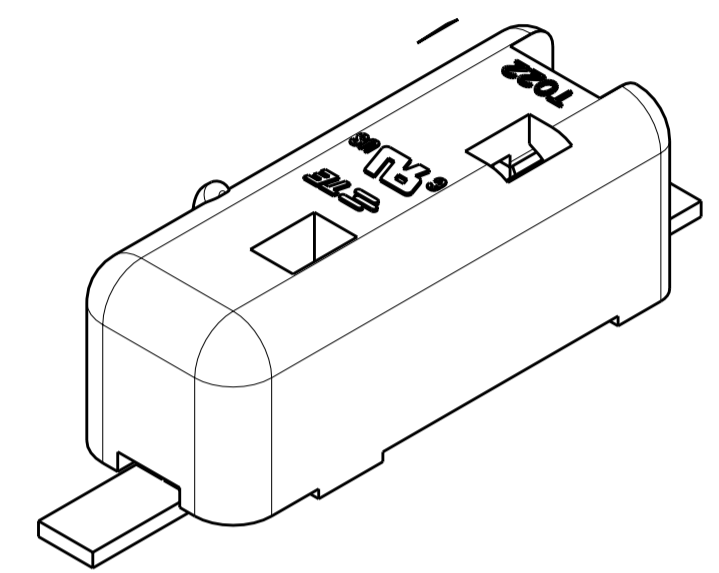
THIS DRAWING IS A CONTROLLED DOCUMENT.		DWN S. SCHLEGEL 8/3/2009	TE Connectivity															
DIMENSIONS: mm		CHK D. DECKER 8/3/2009																
TOLERANCES UNLESS OTHERWISE SPECIFIED:		APVD D. DECKER 8/3/2009																
<table border="1"> <tr><td>0 PLC</td><td>±</td></tr> <tr><td>1 PLC</td><td>±0.5</td></tr> <tr><td>2 PLC</td><td>±0.10</td></tr> <tr><td>3 PLC</td><td>±</td></tr> <tr><td>4 PLC</td><td>±</td></tr> <tr><td>ANGLES</td><td>±3°</td></tr> <tr><td>FINISH</td><td></td></tr> </table>		0 PLC	±	1 PLC	±0.5	2 PLC	±0.10	3 PLC	±	4 PLC	±	ANGLES	±3°	FINISH		PRODUCT SPEC	NAME POKE-IN CONNECTOR ASSEMBLY, 1 POSITION SMT	
0 PLC	±																	
1 PLC	±0.5																	
2 PLC	±0.10																	
3 PLC	±																	
4 PLC	±																	
ANGLES	±3°																	
FINISH																		
SEE TABLE		APPLICATION SPEC	SIZE	RESTRICTED TO														
		WEIGHT	A200779C-1969307	-														
		CUSTOMER DRAWING	SCALE 1:1	SHEET 1 OF 2 REV A2														

THIS DRAWING IS UNPUBLISHED.      RELEASED FOR PUBLICATION      20  
 © COPYRIGHT 20      ALL RIGHTS RESERVED.

LOC		DIST		REVISIONS			
P	LTR	DESCRIPTION	DATE	DWN	APVD		
-	-	SEE SHEET 1	-	-	-		

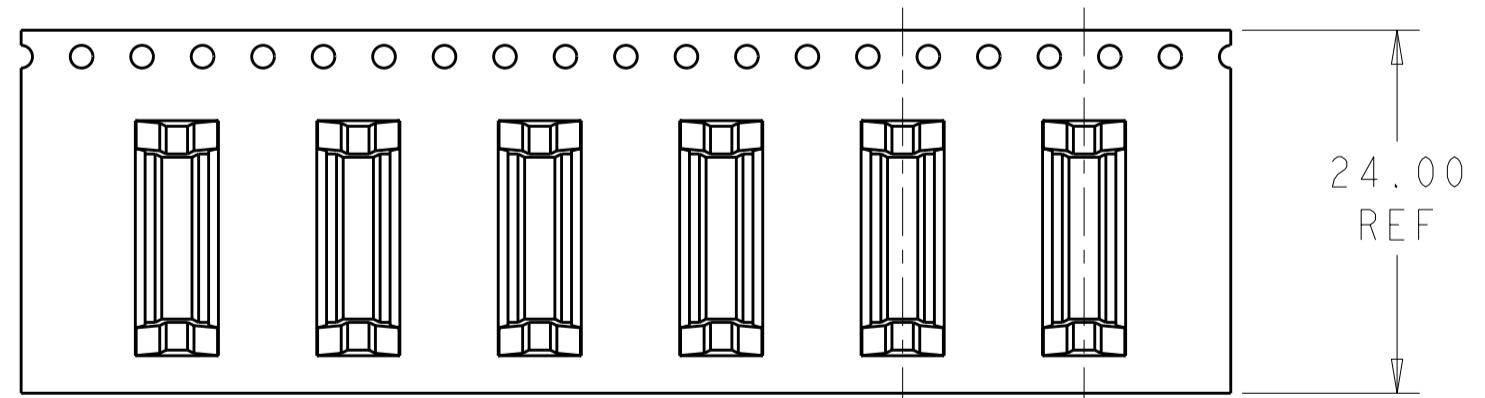


TAPE AND REEL PACKAGING DIAGRAM  
SCALE 2:1




DETAIL A  
SCALE 8:1

SEE DETAIL A



12.00 REF  
TYP

THIS DRAWING IS A CONTROLLED DOCUMENT.		DWN S. SCHLEGEL 8/3/2009	 TE Connectivity	
DIMENSIONS: mm		CHK D. DECKER 8/3/2009		
TOLERANCES UNLESS OTHERWISE SPECIFIED:		APVD D. DECKER 8/3/2009	NAME POKE-IN CONNECTOR ASSEMBLY, 1 POSITION SMT	
0 PLC ±- 1 PLC ±0.5 2 PLC ±0.10 3 PLC ±- 4 PLC ±- ANGLES ±3° FINISH		PRODUCT SPEC -	SIZE A200779	CAGE CODE C-1969307
MATERIAL SEE TABLE		APPLICATION SPEC -	RESTRICTED TO -	SCALE 10:1
SEE TABLE		WEIGHT -	CUSTOMER DRAWING	SHEET 2 OF 2 REV A2